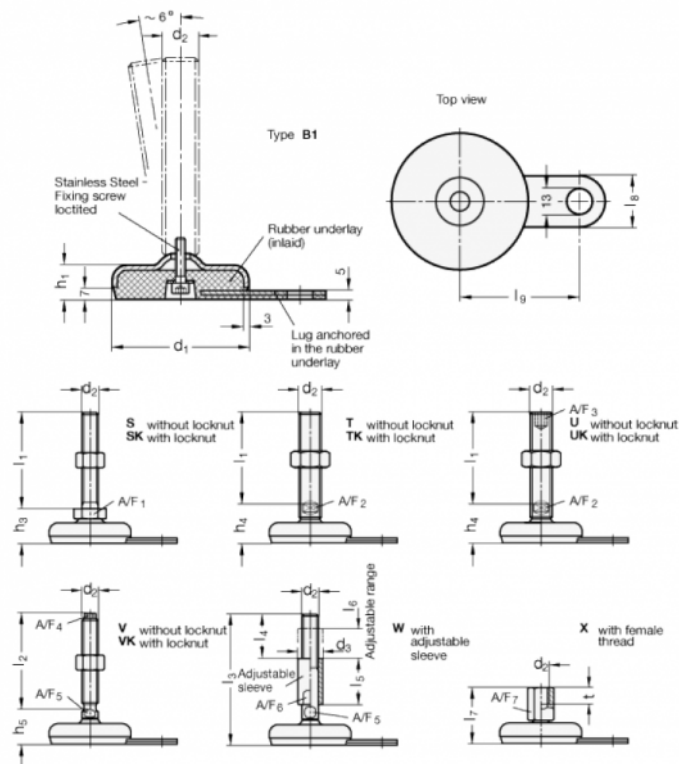


Article number: 2033100M24150B1VK

Description: E+G levelling foot
GN 33-100-M24-150-B1-VK, Stainless steel

Note: VK With nut, External hexagon at the top, Wrench flat at the bottom

Measures



A/F4 = 17

I9 = 80

A/F5 = 20

d1 = 100

d2 = M24

h1 = 21

h4 = 36

l2 = 150

l8 = 30